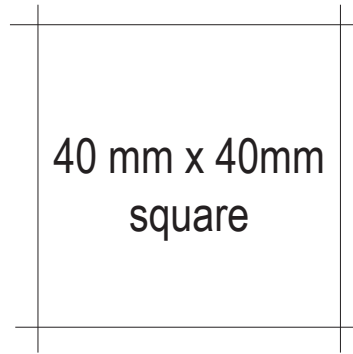


# Did You Make That

- PLEATED POCKET -



## POCKET LINING

PLACE POCKET:

55 mm in from plackett

55 mm down from bottom elastic line

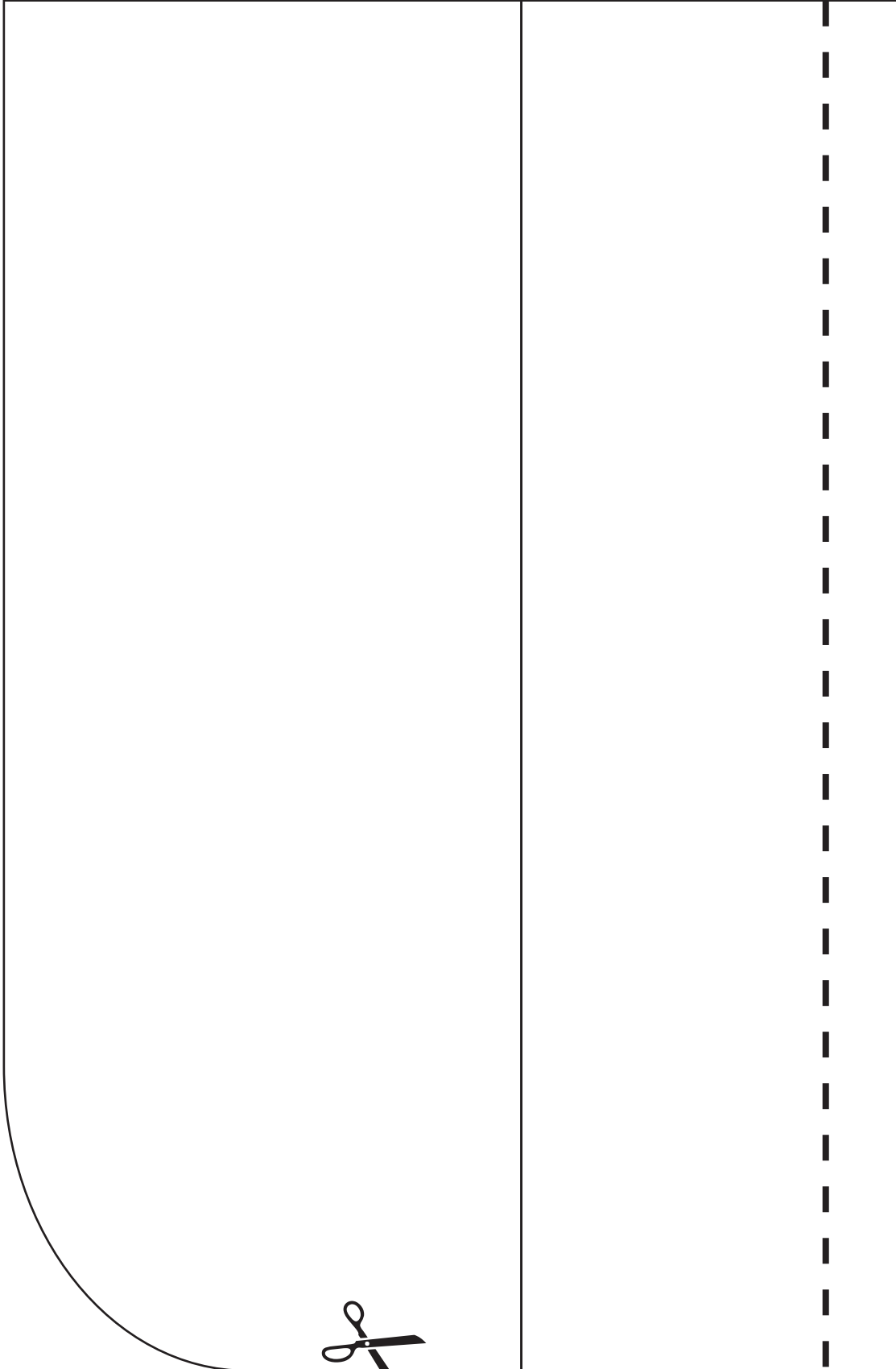
A vertical arrow pointing downwards, with the text "GRAIN LINE" written vertically to its right.

GRAIN LINE

# Did You Make That

- PLEATED POCKET -

Join pages 2 & 3 at dashed line



# Did You Make That

- PLEATED POCKET -

